

# VEHICLE CROSSING APPLICATION

Street Address	
Valuation No. or Legal Title	
Applicant Name	
Postal Address	
Mobile Number	
Email Address	

Please select one:

Crossing:	New	Replacement	Alteration
-----------	-----	-------------	------------

Nominated Contractor:

To apply for a vehicle crossing please send your application form to [roading@mstn.govt.nz](mailto:roading@mstn.govt.nz) or submit the documentation along with the building consent application.

Vehicle crossing specifications (attached) to be used:

- Standard Residential Vehicle Crossing - Type 1 or 2, or
- Light Duty Commercial Vehicle Crossing - Type 1 or 2, or
- Heavy Duty Industrial Vehicle Crossing - Type 1 or 2, or
- Rural vehicle crossings as per the Wairarapa Combined District Plan - 32.1.10 - Vehicle Access to Individual Sites and Figure 32.2 - Rural Vehicle Crossing and Frontage Road Seal Widening.

An alternative design may be approved at the roading engineer's discretion.

### Position of Vehicle Crossing

- Please provide a sketch plan in the box below, or attach an architect's site plan, or similar.
- Please show the proposed vehicle crossing location relative to the property boundaries, complete with dimensions, and the proposed width of the vehicle crossing.

Also, show the location of other features which may affect the proposed location of the crossing such as, **trees, power poles, streetlights, transformers, drainage pits and manholes, pedestrian crossings, redundant existing vehicle crossings etc.**

### Proposed Site Plan:



### Work Requirements

1. A Corridor Access Request (CAR) must be obtained and approved prior to commencement of any works. See [www.beforeudig.co.nz](http://www.beforeudig.co.nz) or [www.submitica.com](http://www.submitica.com). A Traffic Management Plan (TMP) must also be attached to your CAR for approval.
2. Please also upload this form with your CAR application. Acceptance of this form prior to the proposed work commencing is required.
3. Vehicle crossings shall be constructed as per the Masterton District Council's specifications (attached) and vehicle crossing drawings/plans.
4. Existing footpath levels are not to be altered without prior approval.
5. The area affected by the construction of the vehicle crossing is to be kept in a safe condition

at all times, in accordance with the traffic management plan submitted. The work must be completed within 10 working days.

6. Any damage to public or private property is to be reinstated to original condition on completion of the work, or earlier as required by a Council delegated officer.
7. For all crossings, the existing footpath must be removed and reconstructed in the same material.
8. Contact local utilities for service locations and service plans.

### Bond Requirements

1. A vehicle crossing bond will apply at Council's discretion to all new building consents, relocates and major building alterations. The bond will be invoiced with the building consent fees.
2. For the release of the bond, the above Work Requirements procedure is to be adhered to. Secondly, an inspection of the constructed vehicle crossing by a Council roading officer is required.

**To request your bond be released, please email [mdc@mstn.govt.nz](mailto:mdc@mstn.govt.nz) for an inspection of the constructed vehicle crossing.**

OFFICE USE	
Approved	Declined
Signed:	Date:

### 32.1.10 Vehicle Access to Individual Sites

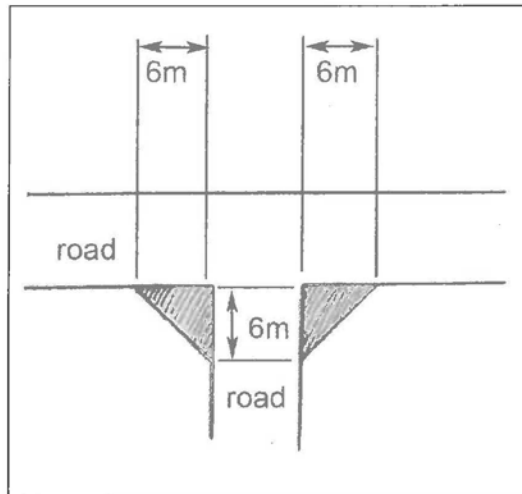
All sites and allotments shall have legal practicable vehicle access from a public road.

Seal widening at accesses shall be in accordance with Figure 32.2 below.

Any vehicle access crossing a waterway shall incorporate culverts appropriate to the volume of water in the waterway and the traffic load on the access. Any earthworks shall comply with the requirements of this Plan. Note: Wellington Regional Council may have additional requirements relating to activities in waterways.

Figure 32.1

#### Intersection Visibility Obstruction Free Area

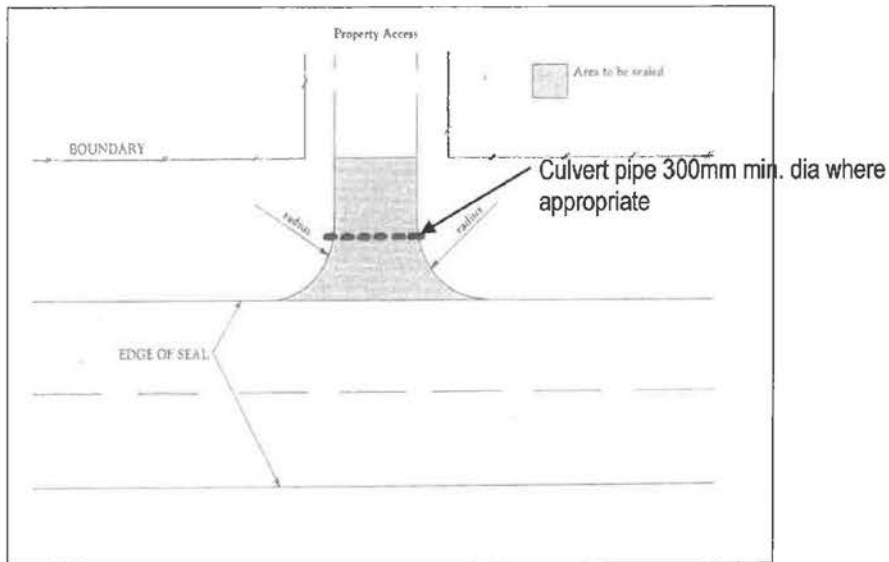


**Figure 32.2**

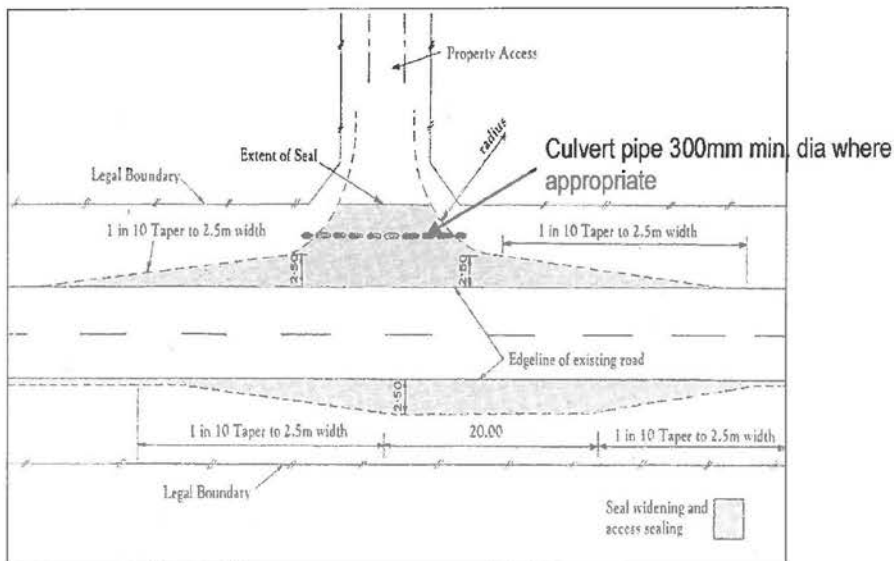
**Rural Vehicle Crossing and Frontage Road Seal Widening**

Note: All dimensions in metres. Not to scale.

**Type A**

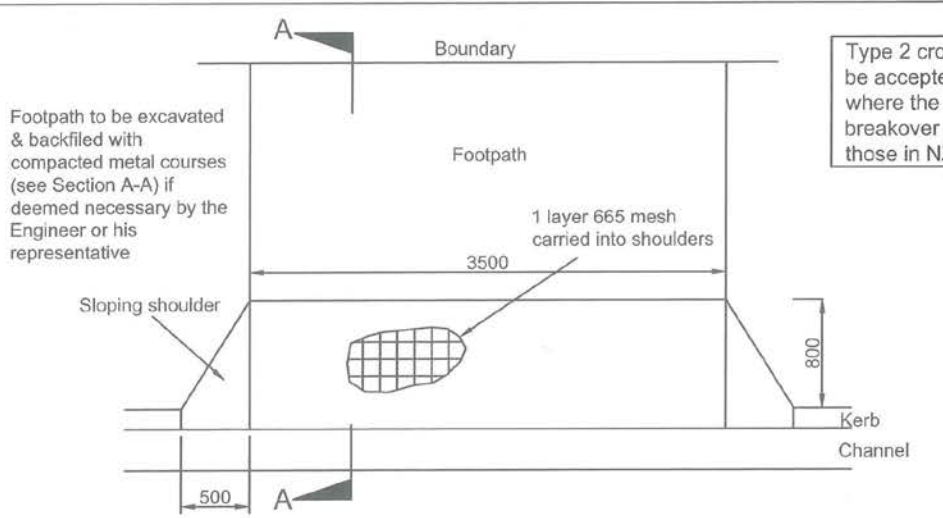


**Type B**

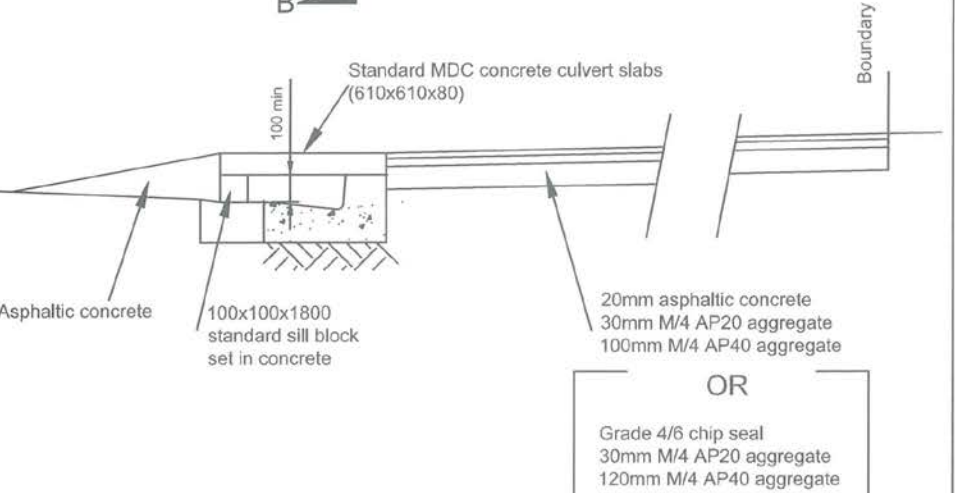
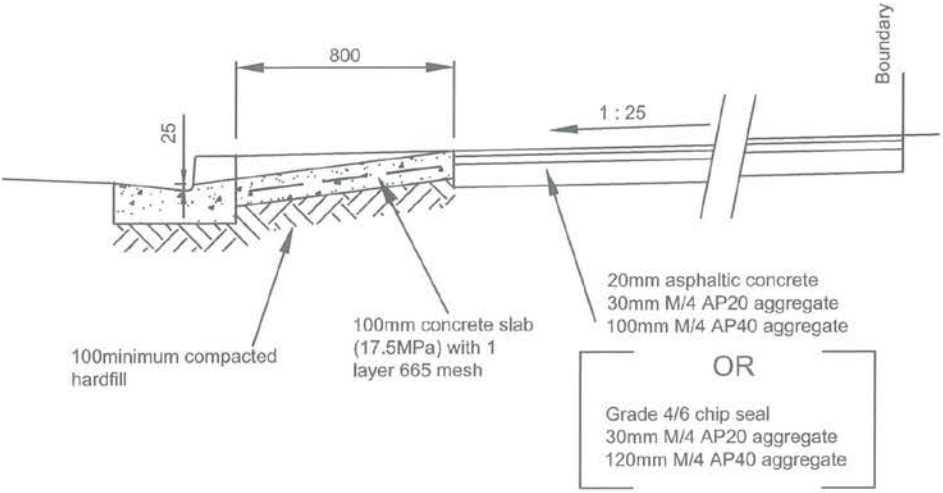
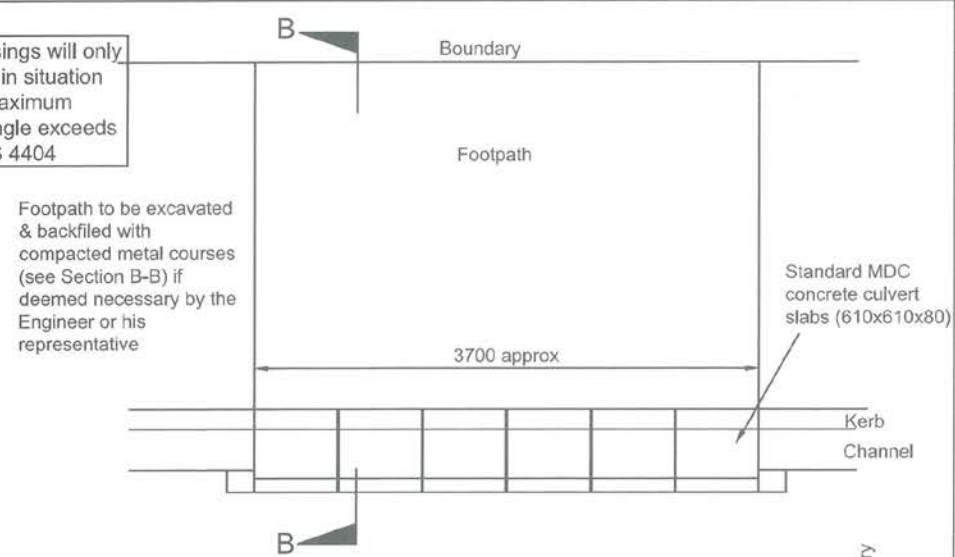


**ENTRY RADIUS**

	Arterial / Collector		Local	
	Type	Radius R	Type	Radius R
Single Private Access	A	9m	A	6m
Multi-Unit Access	B	12m	A	9m
Heavy Commercial Access	B	15m	B	15m



Type 2 crossings will only be accepted in situation where the maximum breakover angle exceeds those in NZS 4404



SECTION A-A  
TYPE 1 - PLAN STANDARD ROAD CAMBER AND LOW PROFILE KERB

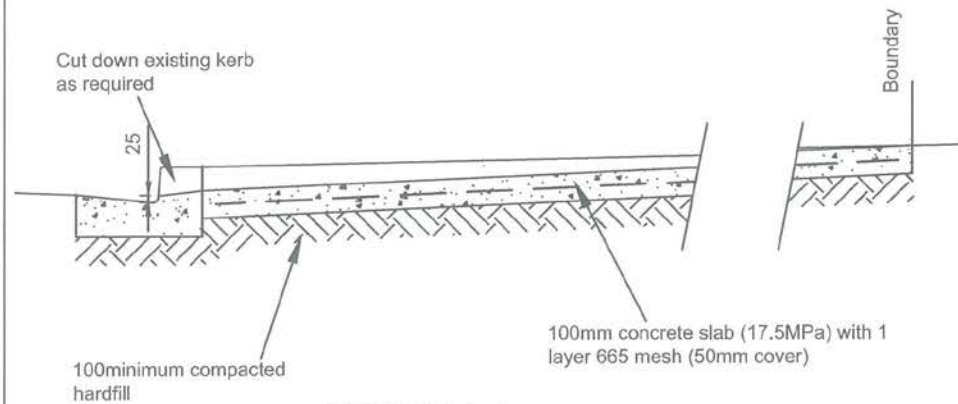
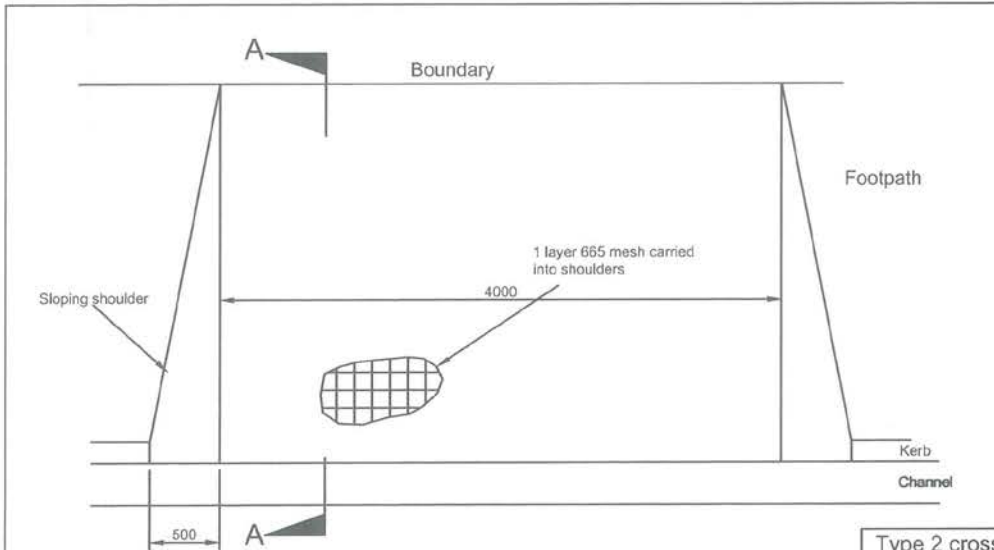
SECTION B-B  
TYPE 2 - PLAN EXCESSIVE ROAD CAMBER OR HIGH PROFILE KERB



Masterton District Council

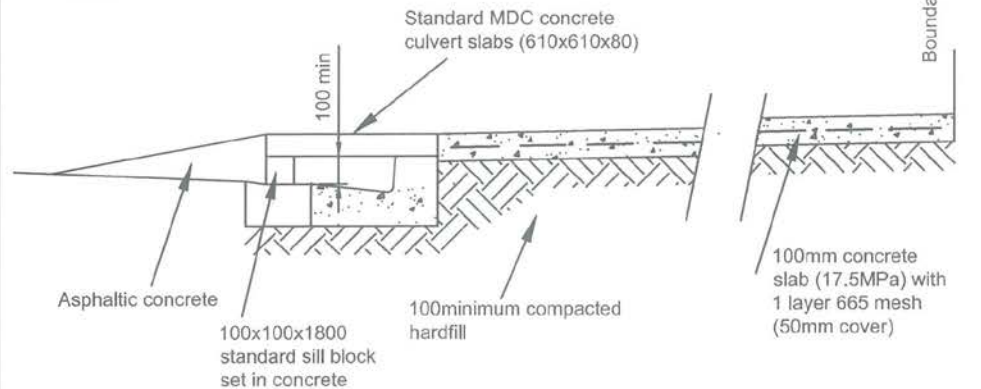
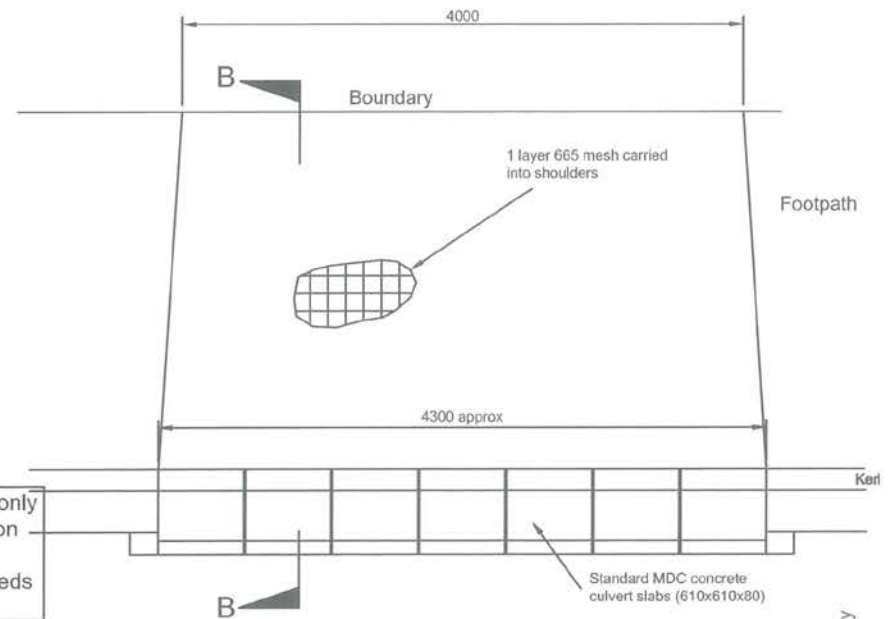
# STANDARD RESIDENTIAL VEHICLE CROSSING

Dwg No	805A
Scale:	1:50 & 1:25
Sheet No	1 of 2 Sheets



SECTION A-A  
TYPE 1 - PLAN STANDARD ROAD CAMBER AND LOW PROFILE KERB

Type 2 crossings will only be accepted in situation where the maximum breakover angle exceeds those in NZS 4404



SECTION B-B  
TYPE 2 - PLAN EXCESSIVE ROAD CAMBER OR HIGH PROFILE KERB



Masterton District Council

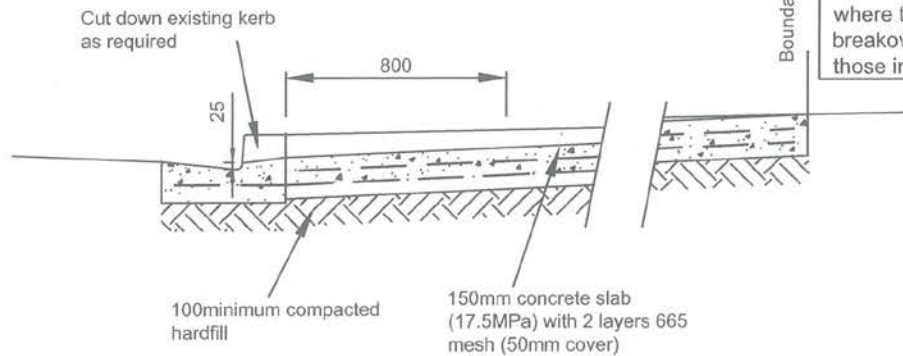
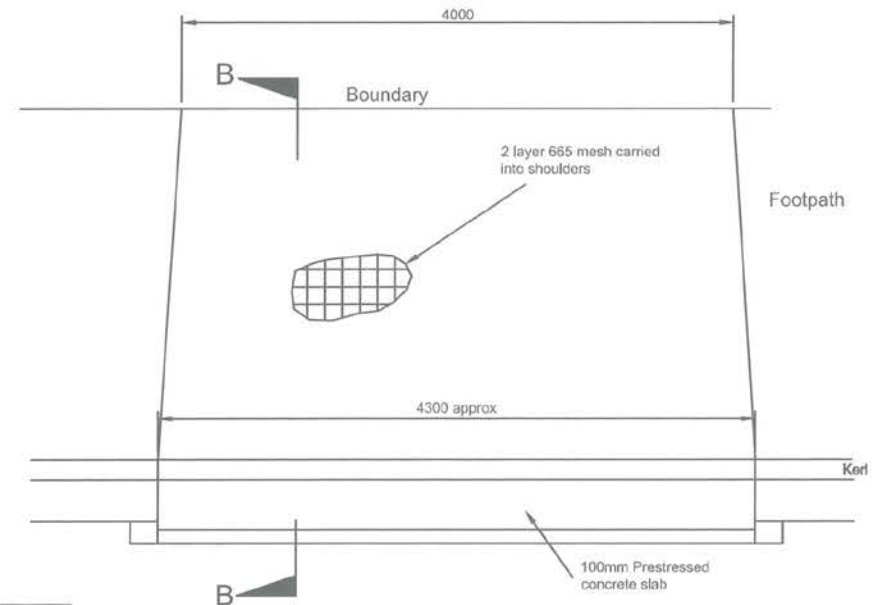
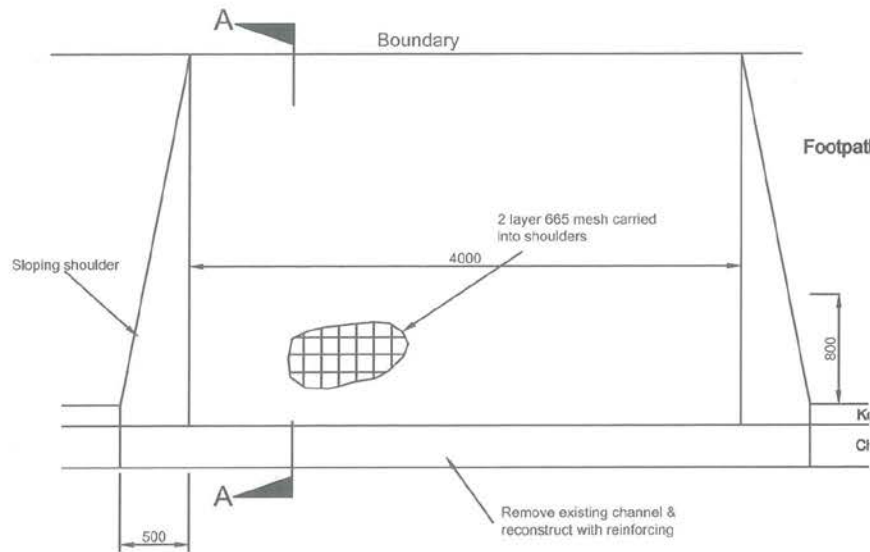
# LIGHT DUTY (COMMERCIAL) VEHICLE CROSSING

Dwg No

805B

Scale: 1 : 50 & 1 : 25 (A4)

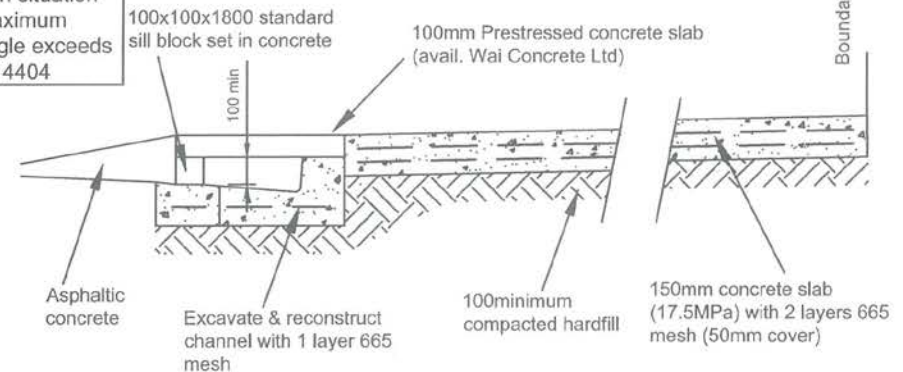
Sheet No 1 of 1 Sheets



SECTION A-A

TYPE 1 - PLAN STANDARD ROAD CAMBER AND LOW PROFILE KERB

Type 2 crossings will only be accepted in situation where the maximum breakover angle exceeds those in NZS 4404



SECTION B-B

TYPE 2 - PLAN EXCESSIVE ROAD CAMBER OR HIGH PROFILE KERB



Masterton District Council

# HEAVY DUTY (INDUSTRIAL) VEHICLE CROSSING

Dwg No

805C

Scale:

1 :

Sheet No 1 of 1 Sheets